



- ▶ Very High Sensitivity
- ▶ Locating Point Sensor
- ▶ Very Fast Response with Light and Middle Distillates
- ▶ Re-usable
- ▶ Suitable for Explosive Area Service
- ▶ Insensitive to Water, UV resistant

## Description

The FG-ODPC+ is a High Sensitivity Point Sensor for liquid hydrocarbon and non-conductive solvent leak detection. It is suitable to detect hydrocarbon floating on water, for example on tank application. Fast response and re-usable after leak detection, the FG-ODPC+ Point Sensor can be installed in humid environment, as it is insensitive to water.

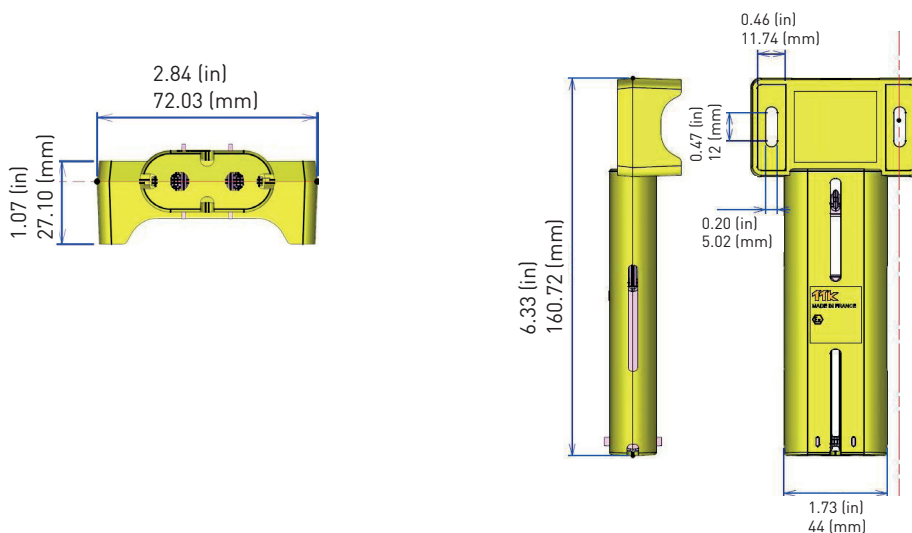
The sensor element is optimized for very fast response with light to middle distillates, and is sensitive to heavy oils such as conventional crude oils, dilbit / synbit, as well as to hydrocarbon vapors.

## Key Advantages

- High sensitivity: detection time (immersion > 30 mm) for jet fuel and gasoline: less than 30 secondes (\*).
- FG-ODPC+ is IP 68 protection marked (for the electronic components and related connections).
- Can be cleaned and reused.
- Intrinsically safe - can be used in classified areas: Ex ia IIB T4 Ga (IECEx "Zone 0").
- Reliable detection:
  - Sensitive to liquid hydrocarbons.
  - Insensitive to water, inorganic pollutants and external loads (pressure). UV resistant.
  - Can be reused, allows reducing OPEX (operational expenditures) and testing leak detection under real conditions.
  - Easy to install and remove.

Note (\*): depending on liquid composition and leak conditions

## Product Dimension



## Technical Data

<b>Compatibility</b>	Digital units: FG-NET*, FG-NET-LL, FG-ALS8-OD, FG-ALS4-OD, FG-A-OD Satellite devices: FG-BBOX*, FG-BBOX-LL Sense cables: Compatible with water and acid sense cables on the same panel output via an interface box. FG-DOP connection box required for connecting FG-ODP on a OD BUS 8771 [*FG-DOD interface box required for connecting OD range cables/probes to non-OD range panels]
<b>Reusability</b>	Reusable, as long as the product hasn't been damaged by prolonged immersion in liquid
<b>Enclosure Type</b>	Antistatic Polymer
<b>Color</b>	Yellow
<b>Operating Temperature</b>	-22° to 212°F (-30° to 100°C)
<b>Connector Ingress Protection (IP Rating - DIN/EN/IEC60529)</b>	IP 68
<b>Explosive Area Classification</b>	Ex ia IIB T4 Ga (ATEX "Zone 0")

## Identification Codes

<b>FG-ODPC+</b>	High Sensitivity Addressable Oil Point Sensor
<b>Accessories:</b>	
<b>FG-FLOAT2</b>	Float assembly for FG-ODPC+ installation
<b>FG-DOD</b>	OD Bus Interface
<b>FG-DOP</b>	Point Sensor Diversion Connection box for integration of FG-ODPC+ on a OD BUS 8771

## Certification



TTK - Type: FG-ODP  
CE 0081 Ex ia IIB T4 Ga  
LCIE 13 ATEX 3082 X  
LECEX LCIE 13.0072X

This brochure has been carefully prepared to ensure technical accuracy but is only intended for promotional use. TTK cannot guarantee that the information contained herein contains no errors or omissions, and hence does not accept responsibility related to the use of its equipment. TTK maintain its obligations set forth in the Standard Terms and Conditions of Sale and will not, under any circumstances, assume liability for any incidental damages, indirect or consequential, arising from the sale, resale, use or misuse of this product. The purchaser(s) accept their responsibility as the sole judge(s) of the adaptability of the product for the intended use.

FG-NET, FG-SYS and TOPSurveillance are trademarks of TTK S.A.S. © TTK 2025

- **TTK USA Inc.** / 100 S. Broad Street, Suite 730 Philadelphia, PA 19110 / Tel. +1 610 304 2270 / [www.ttkusa.com](http://www.ttkusa.com) / [sales@ttkusa.com](mailto:sales@ttkusa.com)
- **TTK Headquarters** / 19, rue du Général Foy / 75008 Paris / France / T : +33.1.56.76.90.10 / F : +33.1.55.90.62.15 / [www.ttk.fr](http://www.ttk.fr) / [ventes@ttk.fr](mailto:ventes@ttk.fr)